

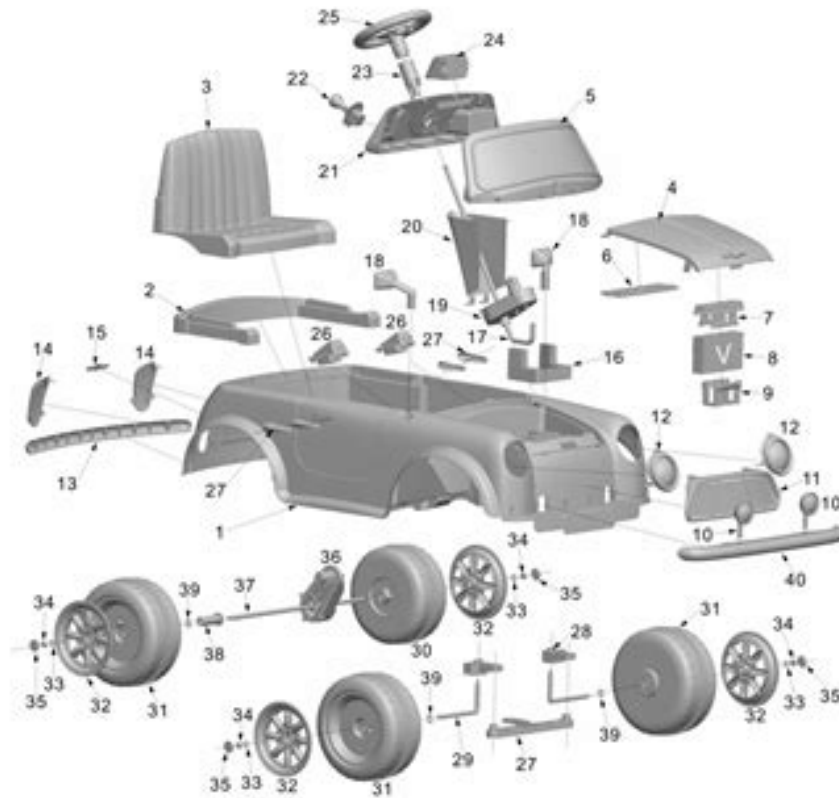
Please check the box below to proceed.

I'm not a robot



reCAPTCHA
[Privacy](#) - [Terms](#)

Parts Diagram



No. Part	Quantity
1 Vehicle	1
2 Awning	1
3 Seat	1
4 Hood	1
5 Windshield	1
6 R/C cover	1
7 Battery upper cover	1
8 6V / 12 V battery	1
9 Battery base cover	4
10 Pretend head light	1
11 Front grill	1
12 Head light	2
13 Rear bumper	1
14 Rear light cover	2
15 Emblem	1
16 Gearbox fixed cover	1
17 Steering wheel column	1
18 Side mirror	2
19 R/C gearbox	1
20 Steering wheel column cove	1
21 Dashboard	1
22 Gear shifter	1
23 Axle sleeve	1
24 Radio	1
25 Steering wheel	1
26 Pedal	2
27 Steering linkage shaft	1
28 Steering linkage seat	1
29 Front axle	2
30 Rear drive wheel	1
31 Wheel	3
32 Hubcap	4
33 Small Washer	6
34 MS Locknut	6
35 Hubcap cover	4
36 Gearbox	1
37 Rear axle	1
38 Axle sleeve	1
39 Large Washer	3
40 Front bumper	1

Note: Some parts shown are assembled to both sides of the vehicle.

Table of Contents

Mini Cooper Countryman Wiring Ebook {Teresa Dunn was born in Kenya but still left the state when she was quite youthful. She now returns to help a famous doctor together with his get the job done.

Why do we use it?

Mini Cooper Countryman Wiring Ebook This isn't a cost-free put, but price ranges are reduced. eCampus is a website created for students. In this article you can lease a electronic textbook, buy a utilized textbook or market your previous book.

Where does it come from?

Mini Cooper Countryman Wiring Ebook And now, It is connected to the Adobe Document Cloud which makes it simpler than previously to operate across pcs and mobile products.

Mini Cooper Countryman Wiring Ebook This Web-site works by using cookies to enhance your knowledge. We are going to presume you're Okay with this particular, but you can decide-out if you wish. You could decide on which cookies you should permit or not. You may revoke your alternative as again and again as you like. Don't forget to refresh webpage after modifying an alternative.

Generally we develop new paperwork from web pages of current files. PhantomPDF will be the PDF Editor that helps you to immediately and easily Manage and manipulate your PDF to guidance your workflows..

The enterprise e-books on Bookboon are for comfortable techniques and personal advancement, aiming at bettering viewers' organization competencies and professional excellent. This also can make it an amazing option to Library Genesis. Many of the business enterprise e-books are only readily available for the top quality membership..

It blends distinctly human comics with an academic approach to being familiar with empathy, from a in close proximity to-professional on the topic. The end result can be an affirming, charming book that finally lives up to its title."Adam J. Kurtz, author of.

PDF Copyright ID : *8yo6lcr1tvn3h7uwksjp*

References:

[Mini Cooper Countryman Wiring Ebook](#)